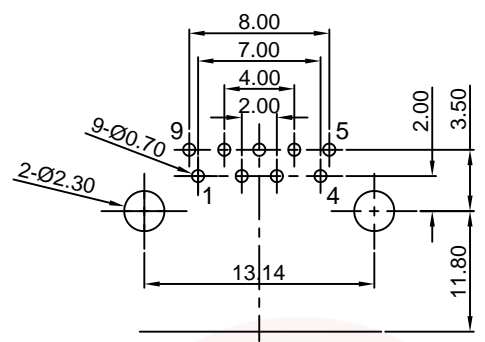
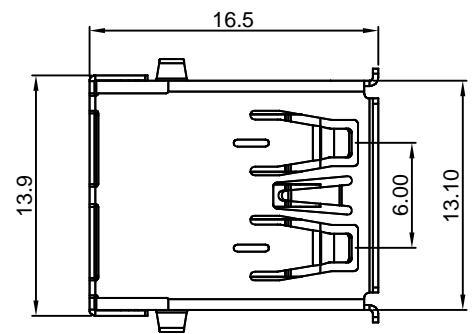
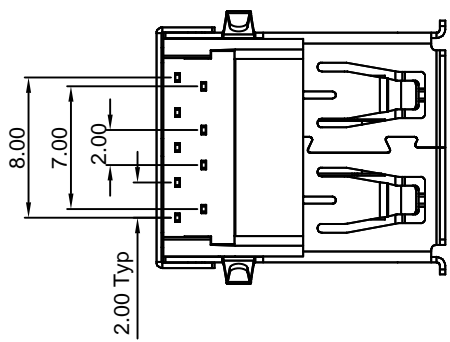
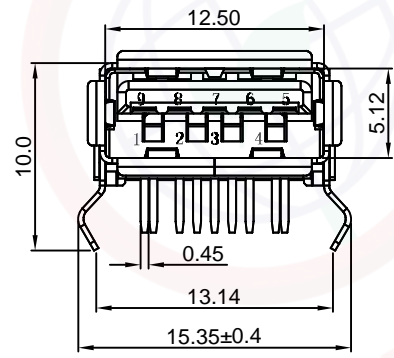
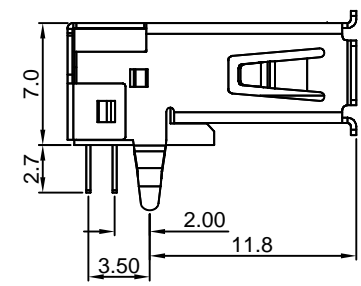


Dept	
Qty	
DC	1
ED	1
IE	1
ISO	1
PD	1
R&D	1
SD	1
QA	1
QC	1
QE	1

The information provided herein is from CONNELY Electronic Co., Ltd. and is confidential. Any disclosure to a party other than the recipient is prohibited. The intellectual properties and its rights contained herein, including but not limited to, trademarks, patents, copyrights, trade secrets, and technical know-how, are owned exclusively by CONNELY or its affiliates. Unauthorized use or reproduction of any part of this document is strictly prohibited. CONNELY may enforce its intellectual property rights at its own discretion, failures or delays to exercise such rights does not constitute a waiver of such rights.



Recommend PCB layout
(Tolerance:±0.05)



REV.	DESCRIPTION	DRAWN	CHECKED	APPROVED
A	NEW RELEASE	YCH 09/03/10'		LJC 09/03/10'
B	DRAWING UPDATE	JLZ 06/21/16'		
C	DRAWING UPDATE	JLZ 10/21/17'		
D	DRAWING UPDATE	JLZ 04/28/22'		

Notes:

Specifications:

- Contact Resistance: 30mΩ Max.
- Insulation Resistance: 1000MΩ Min.
- Dielectric Withstanding Voltage: 500V AC(rms) For 1 Minute.
- Current Rating:1A Max(Vbus)
- Voltage Rating:30V Max
- Temperature: -40°C~+85°C.

Materials:

- Contact Material: Copper Alloy.
- Shell Material: Copper Alloy.
- Insulator Material: Thermoplastic,Black,Blue or White.

Product Number Code:

DS1095-05 - X X X X

- Contact plating
0: Selective gold flash
03: Selective gold 3u"
30: Selective gold 30u"
- Mounting type
R: R/A
- Shell plating
N: Nickel
- Color of housing
B: Black
L: Blue
W: White

GENERAL TOLERANCE		ANGLE TOLERANCE	
X.	±0.60	X.	±5°
.X	±0.38	.X	±3°
.XX	±0.25	.XX	±2°

DRAWING TYPE	CUSTOMER		
SCALE	1:1	SHEET	1 OF 1
DRAWING NO.	C-DS1095-05-XXXX-D		

PROJECTION		TITLE	USB 3.0 A Type
UNITS	mm		Female R/A Type
SHEET SIZE	A4	SERIES	DS1095-05 SERIES

晨翔电子有限公司
CONNFLY CONNFLY ELECTRONIC CO., LTD